

Vickers®

Pressure Relief

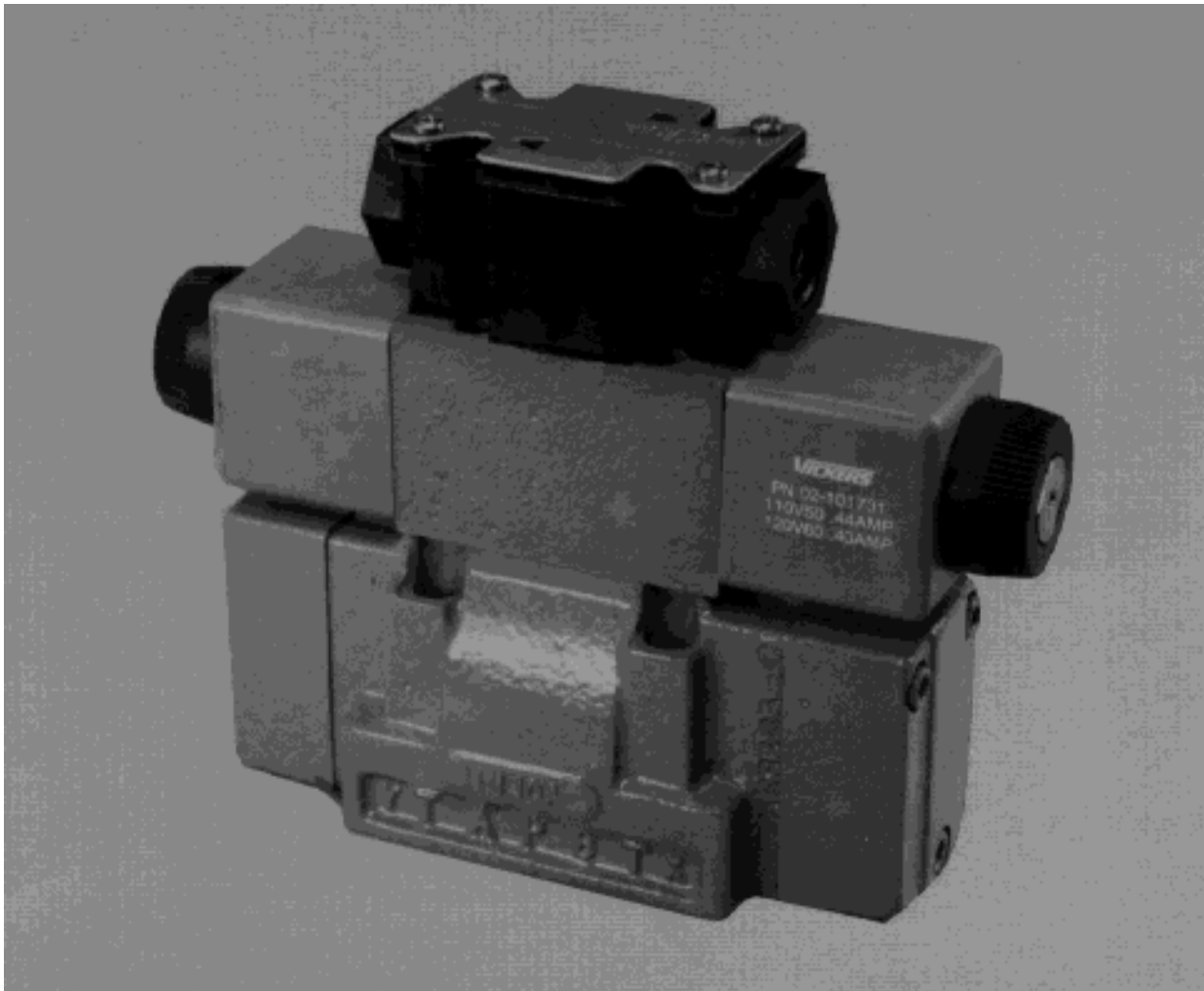


Solenoid Operated, Two-Stage Directional Control Valve

DG5S4-02

Flows to 115 l/min (30 USgpm)

Pressure to 210 bar (3000 psi)



VICKERS

Revised 2/93

GB-C-2037

Table of Contents

Model Code	4
Subplate Model Code	5
Performance Data	6
Operating Data	7
Installation Data	8
Installation Dimensions	9
Electrical Connections	12
DGVM-5 Mounting Surface & Subplate	13

Introduction

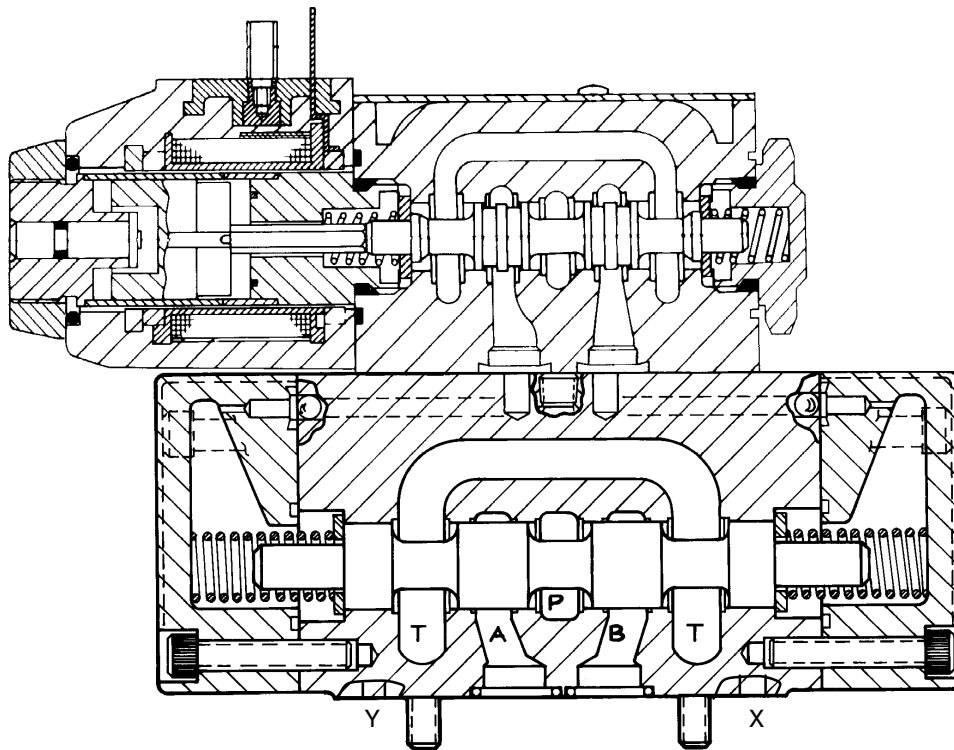
Series O2 two-stage directional valves are designed to meet the requirements of high performance, precision industrial hydraulic systems operating at pressures to 210 bar (3000 psi) and flows to 130 l/min (34 USgpm), depending on spool type (ref. maximum flow curves on page 4). Mounting surface is NFPA D05/ISO-05 with X-Y auxiliary ports.

Two-stage O2 valves (with additional pilot and drain ports) feature tapered main spool lands which permit faster operation with less hydraulic shock. Their close spool-to-bore tolerances also have minimum clearance for low internal leakage without the necessity of selective assembly.

Advanced design pilot valves provide reduced power consumption without any

sacrifice of valve performance. Quiet, long life solenoids can be replaced quickly without disturbing the hydraulic circuitry for easy maintenance. These pilot valves create a high margin of shift force that can overcome spool friction occasionally caused from dirt or other contaminants. The manual override is standard for quick start-ups.

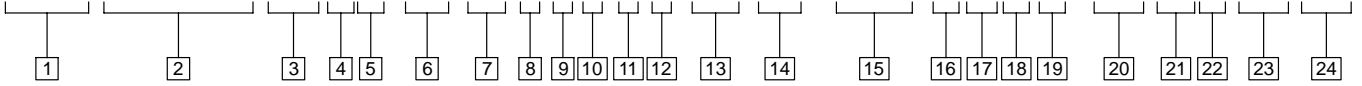
Spring offset to "A" shown, reference model code for other spool/spring arrangements.



DG5S4-02 Model Series

Model Code

(F3)-DG5S4-02-* * (L)--*-*-*-*-(V)(M)-(SX)-* ** * * -(L)-** *-***-*0**



1 Interface Seals

F3 – Special seals
Blank – Standard seals

2 Valve Type

D – Directional control valve
G – Manifold mounted
5 – Solenoid controlled, pilot operated
S – Sliding spool action
4 – Four-way flow

3 Valve series

02 – CETOP 5 - 2 stage

4 Spool Type – see page 5

5 Spool/Spring Arrangement

A – Spring offset to A
B – Spring centered, shift to offset
C – Spring centered
F – Spring offset, shift to center
N – No spring, detented

6 Left Hand Assembly

L – Single solenoid models only
(omit for right hand assembly)

7 Manual Operator in Pilot Valve End Cap

H – Waterproof manual overrides on solenoid ends
H2 – Waterproof overrides in both ends of single solenoid
P2 – Overrides in both ends of single solenoid
Y – Lockable manual overrides in solenoid ends only (DC only)
Z – No overrides in either end
Omit – Standard manual overrides on solenoid ends.

8 Response

X – Fast response
(omit for standard models)

9 Spool Control Modifications (omit when not required)

1 – Stroke adjustment both ends (used with B,C and F spool/spring arrangements only)
2 – Pilot choke adjustment, all models
3 – Pilot choke and stroke adjustment, both ends (B, C and F models only)
7 – Stroke adjustment cyl. A end only (not available on N and AL)
8 – Stroke adjustment cyl. B end only (not available on N and A)
2-7 – Pilot choke and stroke adjustment cyl. A end (not available on N and AL)
2-8 – Pilot choke and stroke adjustment cyl. B end (not available on N and A models)

10 External Pilot Pressure

E – External pilot pressure
(omit for internal pilot pressure models)

11 Pilot Drain

T – Internal pilot drain
(omit for external pilot drain)

12 Mounting Screw Option

Blank – .2500-20 UNC-2A screws
M – M6X1 - 6g screws

13 Solenoid Energization Identity

Blank – Standard arrangement for ANSI B93.9 (i.e. energize solenoid A to allow flow P to A)
V – Solenoid identification determined by position of solenoid (i.e. solenoid A at port A end/solenoid B at port B end)
NOTE: Type 4 & 8 spools are always V.

14 Flag Symbol Heading Electrical Features and Options

15 Spool Position Monitor Switch (A, B, and F models only)

S1* – Proximity switch, normally open
S2* – Proximity switch, normally closed
S3** – Limit switch, normally open
S4** – Limit switch, normally closed
S5*** – Limit switch, unwired
* Available on U models only
** Available on PA, PB, PA5 models only
*** Available on FW & FJ models only

16 Coil Type

U – ISO 4400 (DIN 43650)
P – Plug-in coil
F – Flying lead
SP1 – Single 6.3mm spade to IEC760
SP2 – Dual 6.3mm spade to IEC760
X1 – Flame proof solenoids to EEX-O-11B-T4
X2 – Special protection solenoids to CSA/UL

17 Electrical Plug Features (F type coils only)

T – Wired terminal block
PA – Insta-plug male connector only
PB – Insta-plug male and female receptacles
PA3 – NFPA 3-pin conduit connector
PA5 – NFPA 5-pin conduit connector

18 Housing (F type coils only)

W – Wiring housing with 1/2" NPT thd. connectors
J – 20mm thread

19 Electrical Options

1 – ISO 4400 with fitted plug (U type coils only)
7 – Surge damper

Model Code cont'd

20 Solenoid Indicator Lights

L – For models with flying lead (“F”) and terminal block (“T”) only
(omit if not req'd.)

21 Coil Identification Letter

(Refer to GB-C-2015)

Tank Pressure Rating

22 10 bar (145 psi) switch models
(-30 design only)
4 – 70 bar (1000 psi) hazardous models
(-20 design only)
5 – 100 bar (1450 psi) (-20 design only)
6 – 160 bar (2285 psi) A.C. models
(-30 design only)
7 – 210 (3000 psi) D.C. models
(-30 design only)

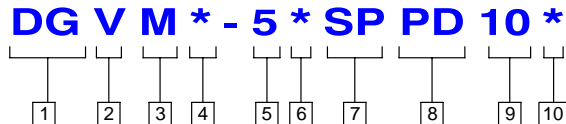
23 Pilot Valve Port Orifices

(omit if not required)

24 Design

20 – DG4V3S-60 standard pilot valve
30 – DG4V3-60 high performance
pilot valve

Subplate Model Code



1 Valve Type

DG – Directional control

2 Pressure Rating

V – 345 bar (5000 psi)

Subplate

M – Subplate

Ports

Blank – Back ports
B – Side ports
E – Side and bottom ports
F – Side and bottom ports

5 Valve Size

5 – CETOP 5

6 Pipe Thread Size

Blank – 1/4 NPTF/BSP
X – 3/8 NPTF/BSP
Y – 1/2 NPTF/BSP
Z – 3/4 NPTF/BSP

Subplate Options

Only way provided

Modification

PD – Aux. pilot port and drain port

9 Design Number

10 – Design

Connection/Mounting

10 Blank – NPTF thread connection
T** – SAE straight thread connection
with .2500-20 UNC-2B inch
thread mtg. 12-1.0626-12 UN
2-B conn.
C** – SAE straight thread connection
with M6 x 1.8 metric thread
12-1.0625-12 UN 2-B connection

Ordering procedure

Valves and subplates must be ordered separately.
Example:
(1) DG5S4-02-2C-M-W-G-10 valve
(1) DGVM-5Y-SP-PD-10 subplate

Subplate Bolt Kits:
BKDG01-633 (inch)
BK855993M (metric)

Performance Data

Recommended Maximum Flow According to Spool Type

Spool type	3 position Spring centered (C)**	Max. flow curve*
2		1
0		2
6		1
3		1
1		3
7		1
33		1
4		4
8		5
9		6

** 2 position spring centered valves are also available. See model code for specifications and ordering information.

* Maximum recommended flow data is for AC or DC solenoids at 90% nominal voltage in a 4-way circuit with cylinder ports looped together. Nominally reduced performance may result when certain spools are used in 3-way circuits.

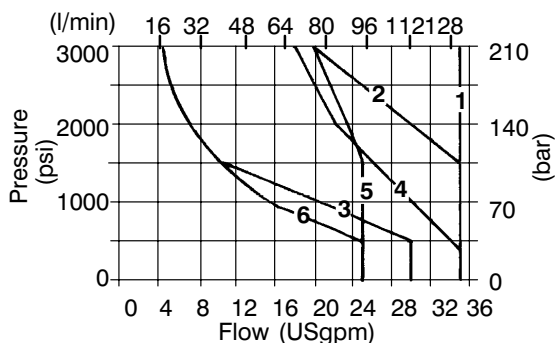
Spool type	2 position Detented (N)	Max. flow curve*
2		1
0		1
6		1
9		1
2 position Spring offset to port A (A/L)		
2		1
0		1
6		1
9		1
2 position Spring offset to port B (A)		
2		1
0		1
6		1
4		1

NOTE

Surges of oil in a common tank line can be of sufficient magnitude to cause inadvertent shifting of these valves. This is particularly critical in the no-spring detented type valves. Separate tank lines or a vented manifold with a continuous downward path to tank is necessary.

Any sliding spool valve, if held shifted under pressure for long periods of time, may stick and not spring return due to fluid residue formation and, therefore, should be cycled periodically to prevent this from happening.

Maximum Flow Curves



Operating Data

Rated Fatigue Pressure

Ports P, A, B & T
(external drain) 210 bar (3000 psi)
Port T
(internal drain) 100 bar (1500 psi)

Solenoid Data

Voltage	Inrush amps (rms)	Holding amps (rms)	Holding watts
120/60	2.0	.59	30
120/50 (dual)	2.0	.65	31
240/60	1.0	.28	30
220/50 (dual)	1.0	.30	31
110/50	1.8	.58	28
220/50	.90	.28	29
240/50	.80	.26	31
12 VDC	--	2.5	30
24 VDC	--	1.5	30

Typical Response Time

Pilot Pressure psi (bar)	Time (Seconds)	
	Energize	Spring return
100 (7)	.065	.060
500 (35)	.040	.060
1000 (70)	.035	.060
2000 (140)	.030	.060
3000 (210)	.025	.065

Fluid and Seals

Buna N seals are standard and are compatible with water glycol water-in-oil emulsions, high water base fluids, and petroleum oils. For phosphate ester, fire resistant fluids, viton seals (symbol "F3") must be used. Maximum operating pressure for high-water base fluids is 1000 psi.

Pressure Drop Curves

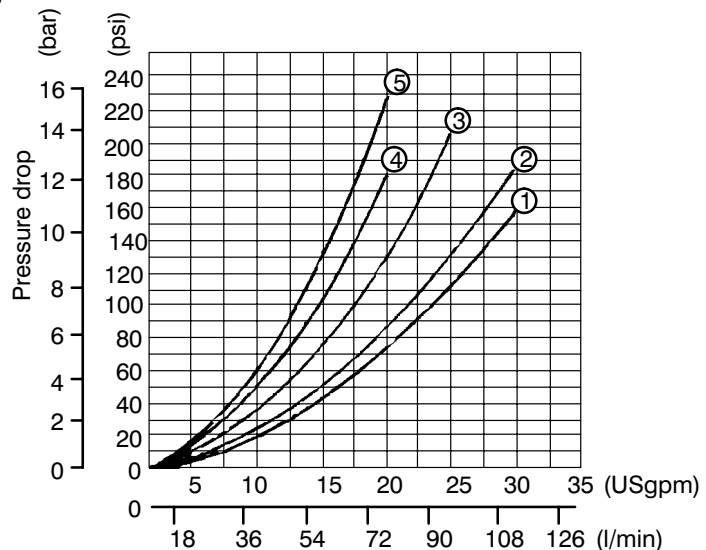
(Fluids @100 Ssu, 21 cSt)

Typ.	P-A	B-T	P-B	A-T	P-T
2	1	2	1	2	
0	1	2	1	2	1
6	1	2	1	2	
3	1	2	1	2	
1	1	2	1	2	2
7	1	2	1	2	
33	1	2	1	2	
4	4	5	4	5	3
8	4	5	4	4	3
9	1	2	1	2	

Refer to flow curve table for corresponding pressure drop curves.

The method for verifying rated fatigue pressure conforms to NFPA recommended standard NFPS/T2.6.a – 1974 category 3/90.

Flow



Installation Data

Pilot Pressure

Min. 5 bar (75 psi)
Max. 210 bar (3000 psi)

The pilot pressure of internally drained valves must always exceed tank line pressure by a minimum of 5 bar (75 psi). Valves must be externally drained if there is a possibility of tank line pressure surges overcoming this differential.

Mounting Position

There is no restriction on mounting position of spring centered or spring offset models. Detented models must be mounted with the spool bore horizontal to reduce the possibility of inadvertent spool shift, due to shock and/or vibration.

Shifting Action

Valve type	Energized	De-energized	Loss of pilot pressure
Spring center (C)	Shift	Return to center	Return to center
Spring offset (A/AL)	Shift	Return to offset	Return to offset
(B/BL)	Shift	Return to center	Return to center
Detent (N)	Shift **	*Remain last pos.	*Remain last pos.

* Provided no shock or vibration and mounting is horizontal.

** A momentary signal of approximately .100 sec. is required.

Filtration

For satisfactory service life of these components in industrial applications, use of full flow filtration to provide fluid which meets ISO cleanliness code 18/15 or cleaner, OFP, OFR and OFRS Vickers series filters are recommended.

Viscosity Range

75 to 600 Ssu (15 to 128 cSt)

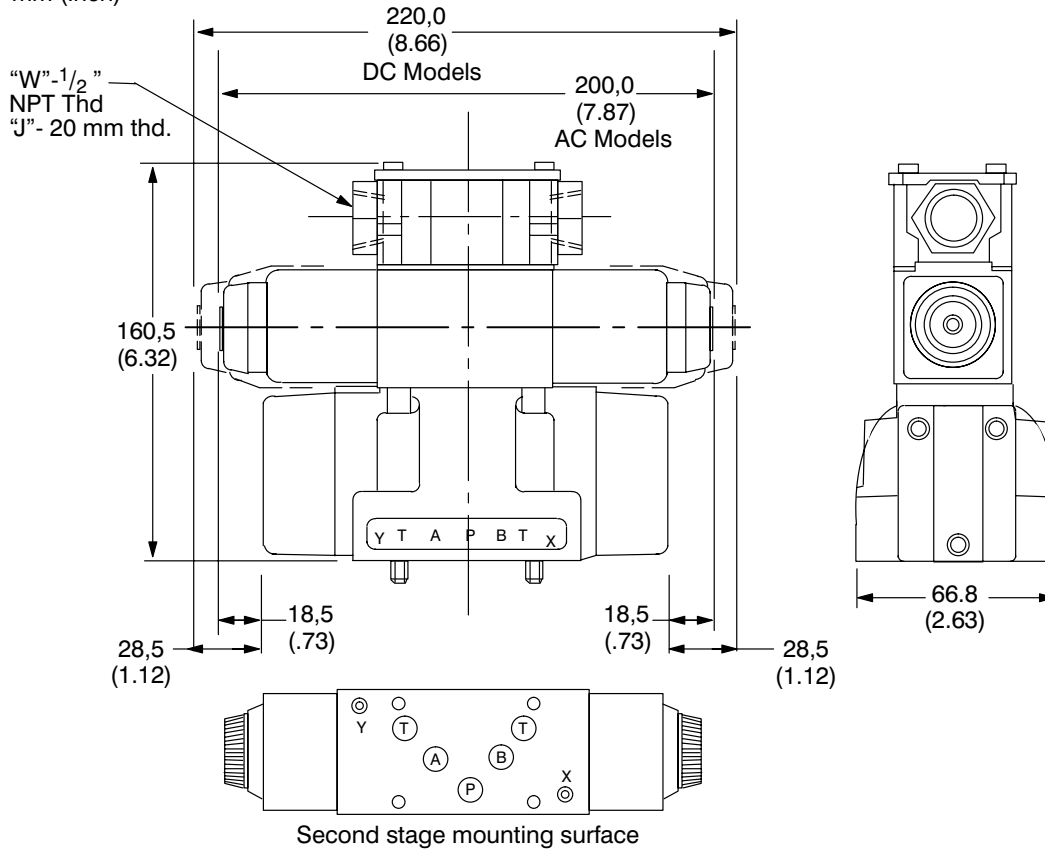
Operating Temperature Range

-18° to 66°C (0° to 150°F)

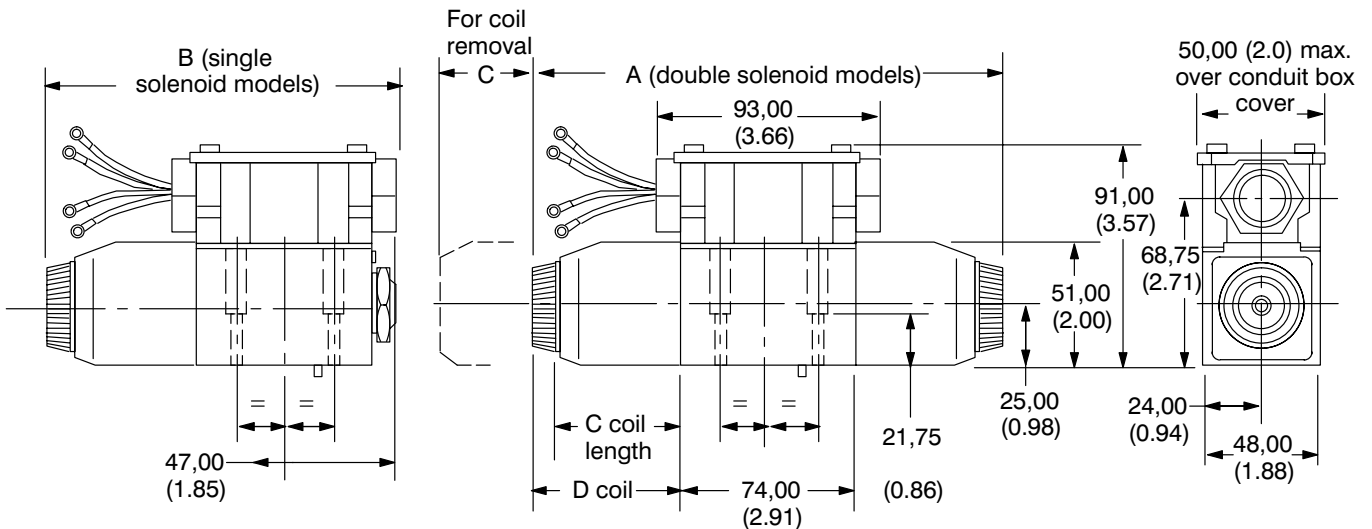
Installation Dimensions

With Terminal Box

mm (Inch)



Model type	AC or DC	A	B	C	D
All	DC =	220 (8.66)	156 (6.14)	61 (2.5)	73 (2.87)
DG4V3	AC ~	200 (7.87)	146 (5.75)	51 (2.1)	63 (2.48)
DG4V3S	AC ~	200 (7.87)	146 (5.75)	45 (1.7)	63 (2.48)

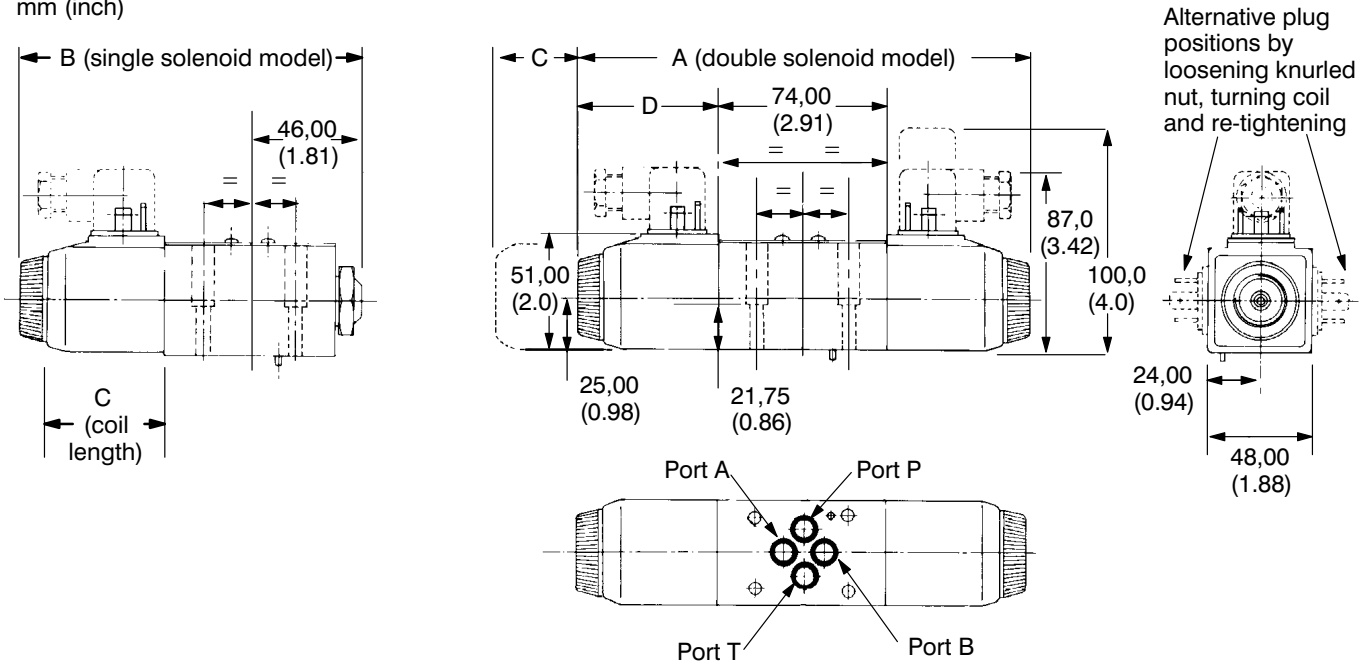


Installation Dimensions

With Plug-in Connectors

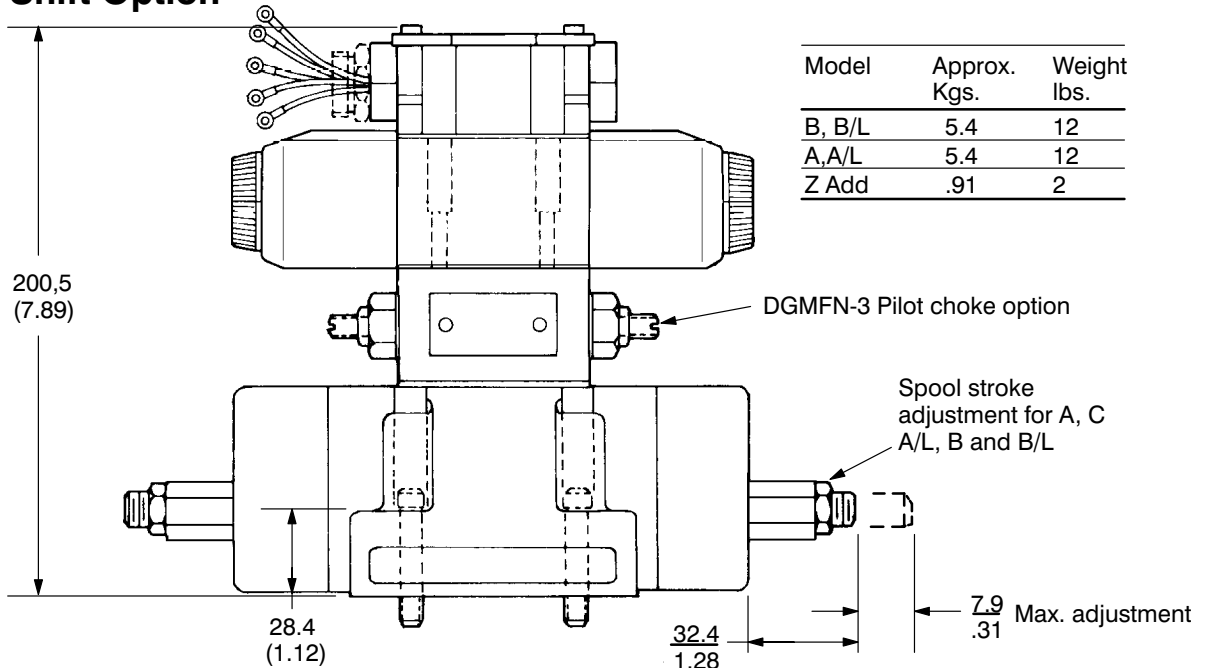
ISO 4401 (DIN 43650 Connectors)

mm (inch)



Model	AC or DC	A	B	C	D
All	DC =	220 (8.66)	156 (6.14)	61 (2.5)	73 (2.87)
DG4V3	AC ~	200 (7.87)	146 (5.75)	51 (2.1)	63 (2.48)
DG4V3S	AC ~	200 (7.87)	146 (5.75)	45 (1.7)	63 (2.48)

Spool Shift Option

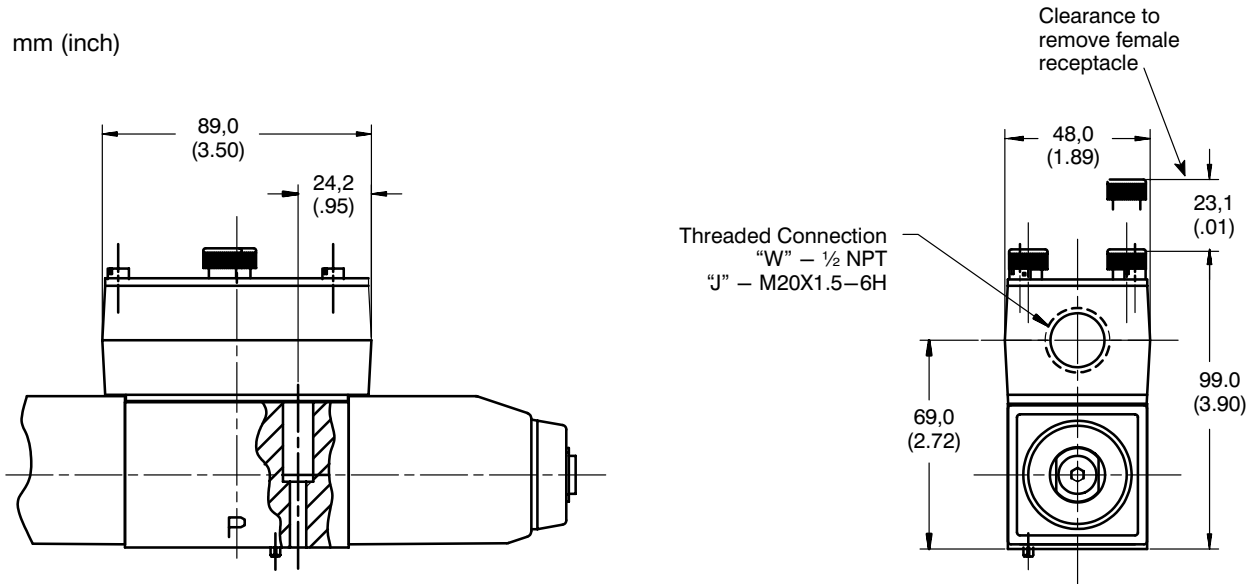


Model	Approx. Kgs.	Weight lbs.
B, B/L	5.4	12
A, A/L	5.4	12
Z Add	.91	2

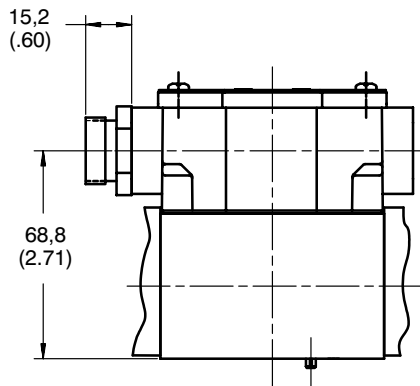
Installation Dimensions

With Insta-plug Option

mm (inch)



With NFPA Connector



Pilot Valve Port Orifices

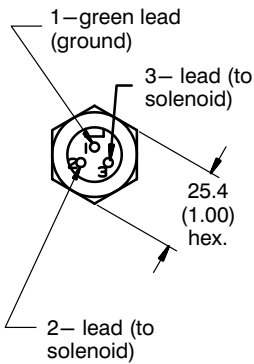
Restrictor plugs are available for use in A, B, P or T ports. They are used to restrict flow or circuit dampening. Available sizes are 0.3 mm to 2.3 mm (.020 inch to .098 inch).

- 03 – 0.30 dia.
- 06 – 0.60 dia.
- 08 – 0.80 dia.
- 10 – 1.0 dia.
- 13 – 1.3 dia.
- 15 – 1.5 dia.
- 20 – 2.0 dia.
- 23 – 2.3 dia.

Electrical Connections

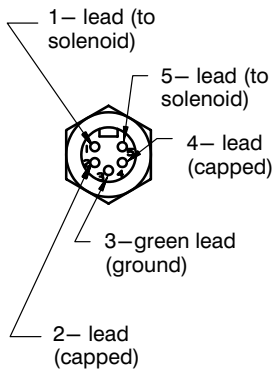
NFPA Electrical Connector

The receptacle is a standard three or five pole electrical connector with shortened leads and terminals added. The connector is assembled over the solenoid "B" on dual solenoid models and over the solenoid "A" for single solenoid models.



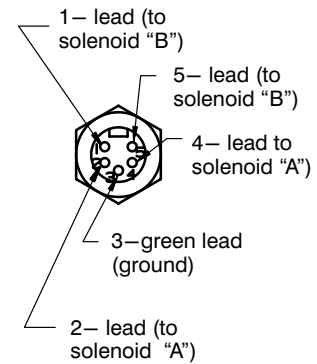
MODEL:
 DG5S4-02****-MPA3-W**

- "A" Models
- "B" Models
- "F" Models



MODEL:
 DG5S4-02****-MPA5-W**

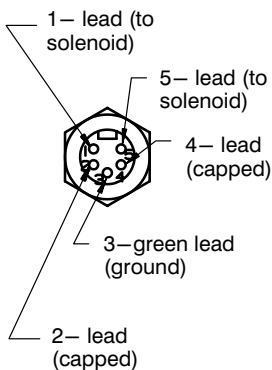
- "A" Models
- "B" Models
- "F" Models



MODEL:
 DG5S4-02****MPA5-W**

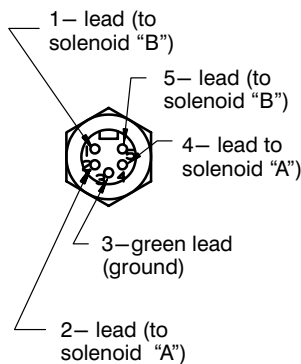
- "C" Models
- "N" Models

Insta-plug option



MODEL:
 DG5S4-02****-MS1PA5-W**

- "A" Models
- "B" Models
- "F" Models

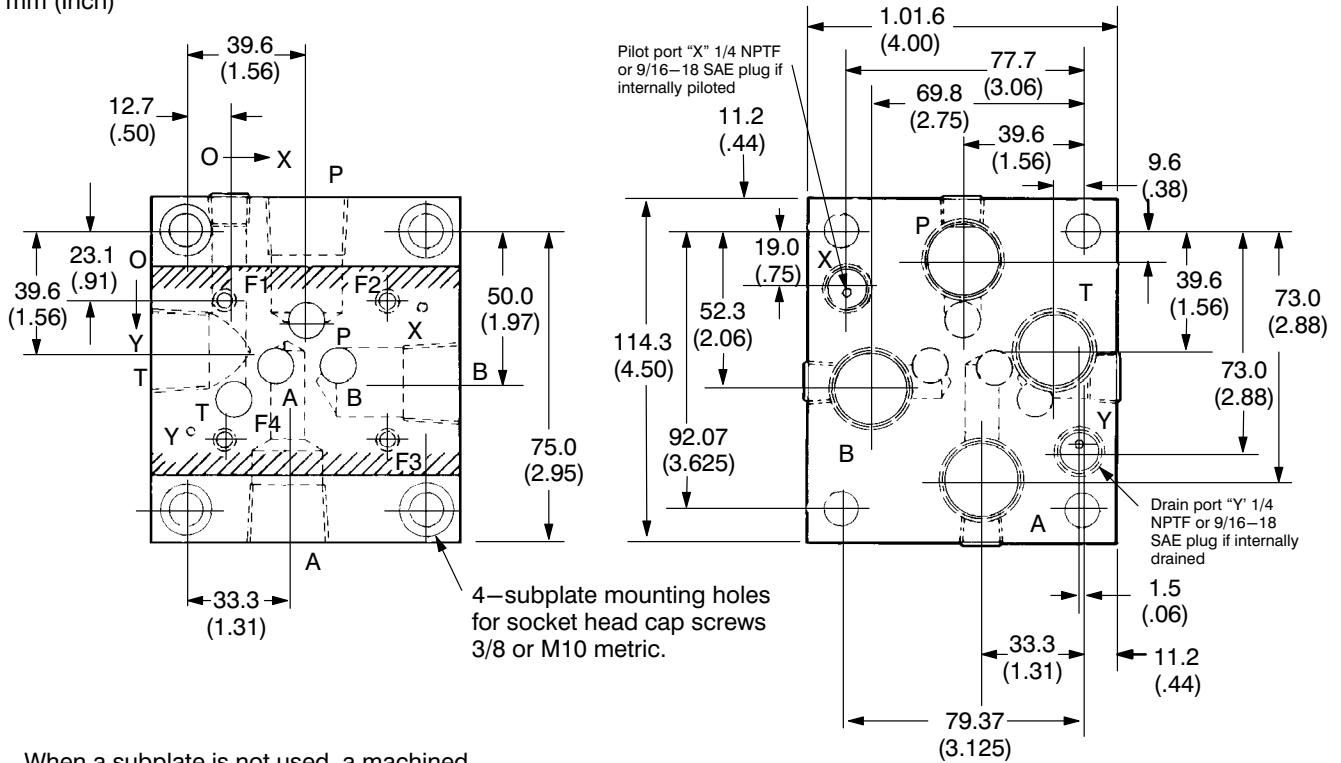


MODEL:
 DG5S4-02****-MS2PA5-W**

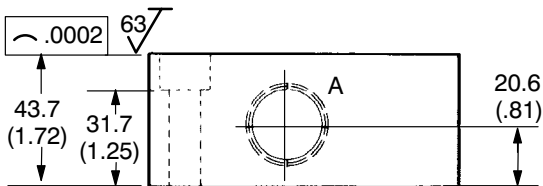
- "A" Models
- "B" Models
- "F" Models

DGVM-5 Mounting Surface & Subplate

mm (Inch)



When a subplate is not used, a machined pad corresponding to the shaded area must be provided.



	P	A	T	B	F1	F2	F3	F4	X	Y
X	27.0 1.06	16.7 0.66	3.2 0.13	37.3 1.47	0 0	54.0 2.125	54.0 2.125	0 0	65.0 2.56	11.2 0.44
Y	6.3 0.25	21.4 0.84	32.5 1.28	21.4 0.84	0 0	0 0	46.0 1.812	46.0 1.812	2.3 0.09	43.7 1.72
Q	11.2 max. 0.44	11.2 max. 0.44	11.2 max. 0.44	11.2 max. 0.44	M6 0.25	M6 0.25	M6 0.25	M6 0.25	3.1 0.12	3.1 0.12

Approximate weight: Standard subplates 2.7 kgs. (6 lbs.)